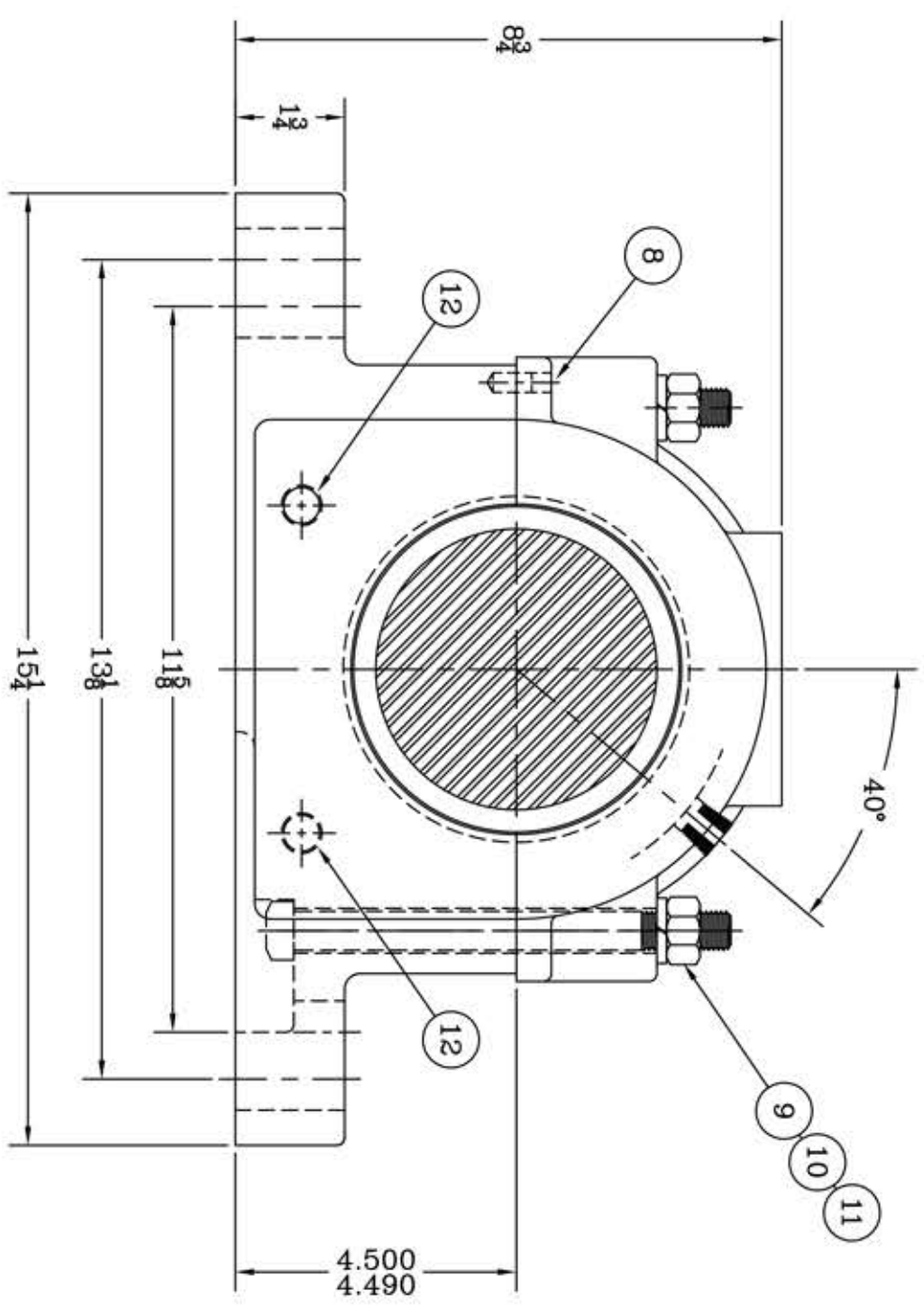
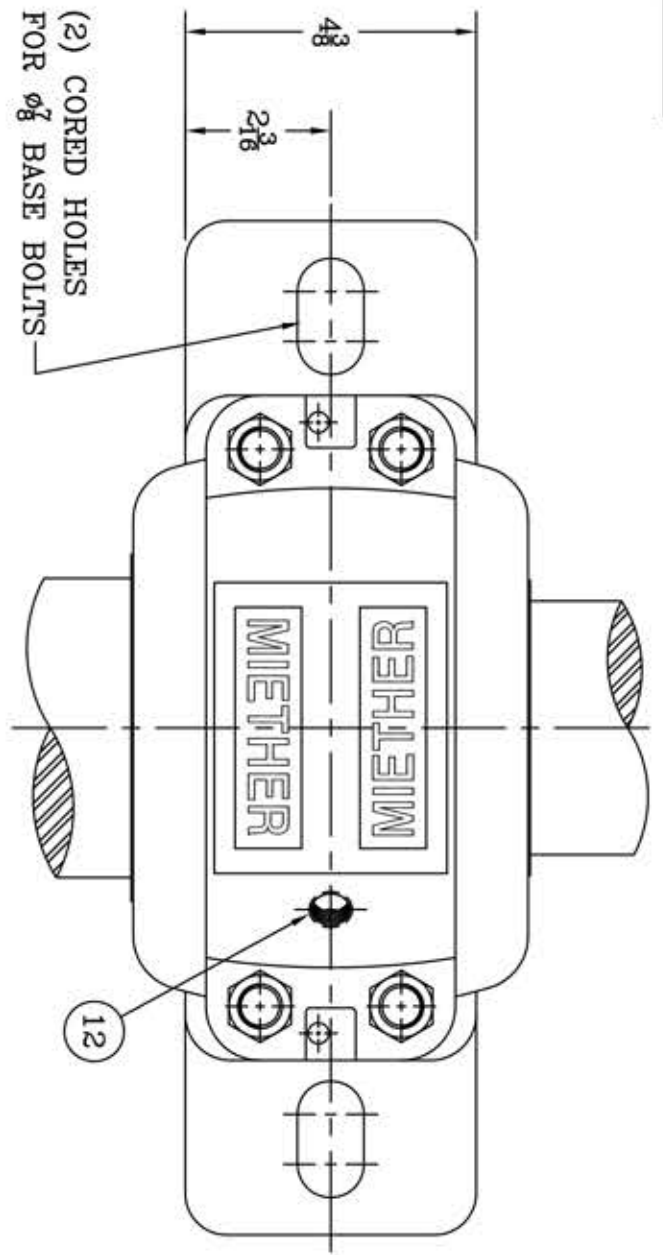
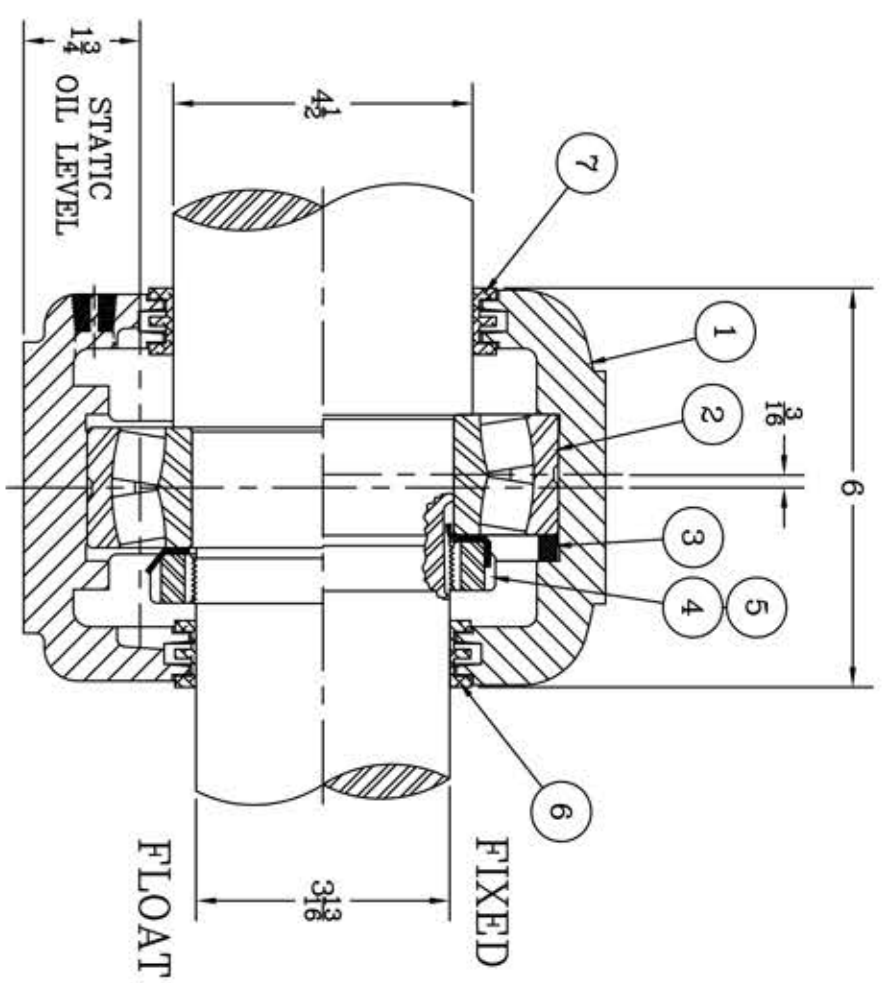


This drawing is the sole property of Miether Bearing Products and contains confidential and proprietary information. It is being provided to you for your use and may not be disclosed to any third party or used for any other purpose without Miether's prior written consent. The [materials] must be returned to the Company upon its demand. Your acceptance of these materials constitutes your acceptance of the foregoing terms.

C-14152



ITEM	DESCRIPTION	DETAIL	REQUIRED
1	HOUSING SAF 220	C-13134-R	1 1
2	SPHERICAL ROLLER BEARING	22220/W-33	1 1
3	STABILIZING RING SR-20-17	A-10602	1 0
4	LOCKNUT AN-20	B-10785	1 1
5	LOCKWASHER W-20		1 1
6	TRIPLE SEAL RING LER-106	A-10578	1 1
7	TRIPLE SEAL RING LER-118	A-10498	1 1
8	DOWEL	3/8 x 3/8 LONG	2 2
9	CAP BOLT SQUARE HEAD	5/11 NC x 7" LONG	4 4
10	CAP BOLT HEX NUT	5/11 NC	4 4
11	LOCKWASHER	3/8 SPLIT MED.	4 4
12	PIPE PLUG	3/8-18 NPT	3 3



REDRAWN FOR CONFORMITY RWB per KAB 1-21-04
 REDRAWN ON COMPUTER by OMI 3-9-00

REVISIONS	
SYMBOL	DESCRIPTION
16	32
63	125
250	500
1000	

TOLERANCE: UNLESS OTHERWISE SPECIFIED
 FRACTIONS +- 1/32"
 DECIMALS +- .005"
 CASTING +- 1/16"
 WELD +- 1/16"
 ANGLES +- 0°-30°

A.I.S.I. STANDARD FINISHES

AN ALCO INDUSTRIES COMPANY
 BEARING PRODUCTS
 ODESSA, TX. USA

SAF 22220 04-08 x 03-13	ASSEMBLY DRAWING
SCALE HALF	ASSEMBLY NO.
DRAWN BAB	
DATE 1/18/88	DRAWING NO.
CHK:	C-14152